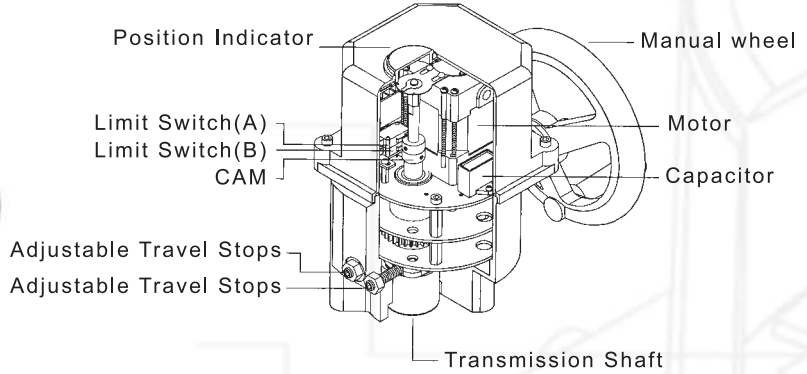


## UM-5 Direct Mount Series

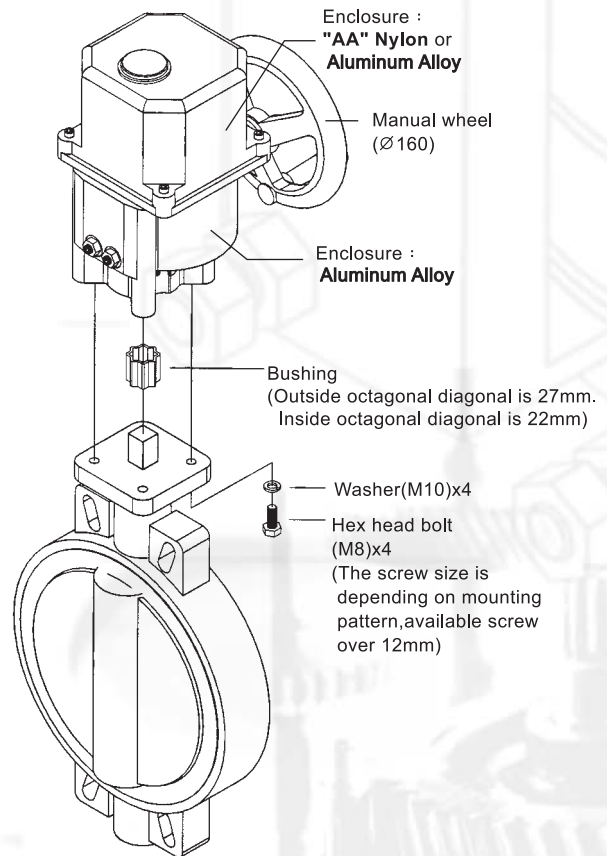
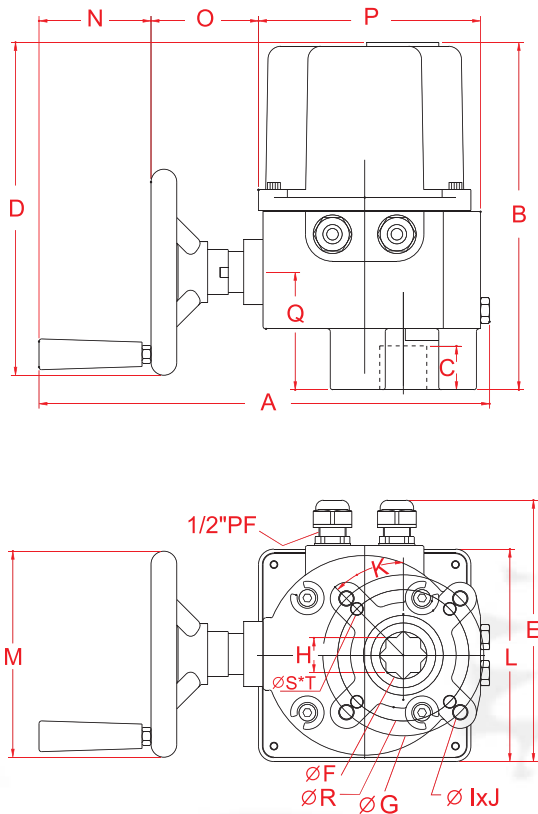


Weight : 8.9 kg



Specification	Speed(sec)		Output Troque Kgf-cm				
	110VAC	220VAC	AC	DC	110VAC	220VAC	24VDC
Power	110VAC	220VAC	AC	DC	110VAC	220VAC	24VDC
40W	0.95A	0.58A	30	N/A	4266	4873	N/A

The Size Of Valve		
Flanged Ends	Butterfly Valve	3-Way Valve
4" ~ 5"	8" ~ 10"	3" ~ 4"



Dimension (mm)	A	B	C	D	E	F	G	H	I	J	K	L	M	N	O	P	Q	R	S	T	ISO 5211
Model	350	272	34	260	203	36.6	125	27	M12	4	45	165	200	87	84	173	92	102	M10	4	F10/F12