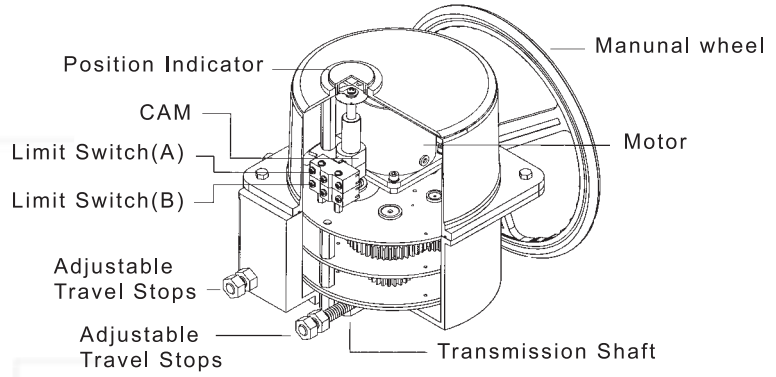


UM-10 Series

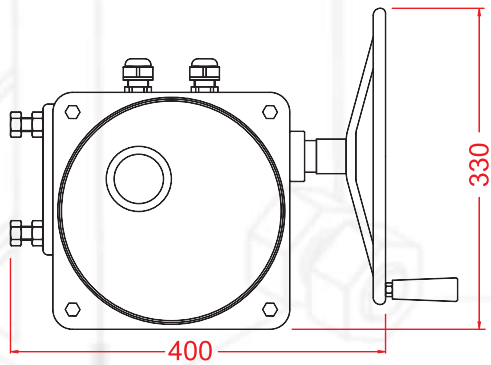


Weight : 34 kg

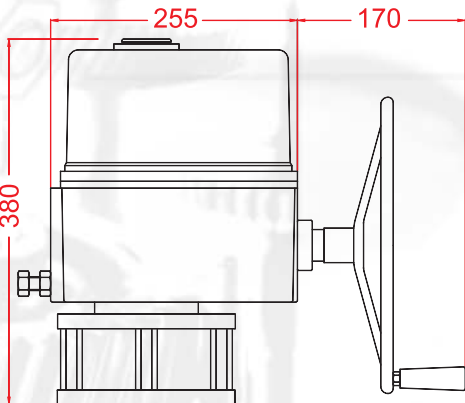


| Power | Specification | | Speed(sec) | | Output Troque Kgf-cm | | |
|-------|---------------|--------|------------|-----|----------------------|--------|-------|
| | 110VAC | 220VAC | AC | DC | 110VAC | 220VAC | 24VDC |
| 100W | 0.92A | 0.34A | 52 | N/A | 12060 | 13500 | N/A |

| The Size Of Valve | |
|-------------------|-----------------|
| Flanged Ends | Butterfly Valve |
| 8" ~ 10" | 14" ~ 16" |



(mm)



Mounting pattern is depending on valve

