



# HFCC/HFCD

## Chilled Water Fan Coil Units

*HFCC 400-1,200 CFM*  
*HFCD 1,400-2,000 CFM*  
*Ceiling Type*  
*HFCC/HFCD Series 50 Hz*





# Model Nomenclature

---

H    F    C    C    0    4    B    0    0    1    0    A  
1      2      3      4      5      6      7      8      9      10     11     12

Digit 1 - Position  
H = Horizontal

Digit 2 - Unit Type  
F = Fan Coil

Digit 3 - Casing  
C = Concealed

Digit 4 - Development Sequence  
C, D = Development Sequence

Digit 5,6 - Size / Nominal Airflow  
04 = 400 CFM    14 = 1,400 CFM  
06 = 600 CFM    16 = 1,600 CFM  
08 = 800 CFM    18 = 1,800 CFM  
10 = 1,000 CFM    20 = 2,000 CFM  
12 = 1,200 CFM

Digit 7 - Coil Row, Connection Side  
A = 2 Row or 3 Row Cooling, Right Hand  
B = 2 Row or 3 Row Cooling, Left Hand  
C = 2 Row or 3 Row Cooling, Right Hand  
D = 2 Row or 3 Row Cooling, Left Hand  
E = 4 Row Cooling, Right Hand  
F = 4 Row Cooling, Left Hand

Digit 8 - Electric Heat  
0 = Non Electric Heat

Digit 9 - Future Use  
0 = Option

Digit 10 - Voltage / Phase / Hertz  
1 = 220 / 1 / 50  
2 = 220 / 1 / 60

Digit 11 - Plenum / Filter  
O = Without Return Plenum  
A = W/Return Plenum and 25mm. AI Filter

Digit 12 - Design Sequence  
A = Design Sequence

# General Data HFCC 50 Hz

## Product Specification

MODEL		HFCC04	HFCC06	HFCC08	HFCC10	HFCC12
Rated - Volts/Ph/Hz		220-240/1/50	220-240/1/50	220-240/1/50	220-240/1/50	220-240/1/50
<b>INDOOR COIL</b>						
Face Area	sq ft	1.67	1.67	1.67	2.00	2.33
Tube Size	in	3/8	3/8	3/8	3/8	3/8
Tube Type		Plain	Plain	Plain	Plain	Plain
Fin Type		Precoated Louver	Precoated Louver	Precoated Louver	Precoated Louver	Precoated Louver
Fins per inch*						
2-Row coil		15	19	N/A	N/A	N/A
3-Row coil		14	16	15	16	15
4-Row coil		N/A	N/A	14	15	15
Drain Connection Size	in	1/2	1/2	1/2	1/2	1/2
<b>FAN</b>						
Fan Type		Centrifugal	Centrifugal	Centrifugal	Centrifugal	Centrifugal
Dai. x Width		6 x 8	6 x 8	7 x 9	7 x 9	7 x 9
No. used		2	2	2	2	2
Drive Type		Direct	Direct	Direct	Direct	Direct
<b>FAN MOTOR</b>						
No. of Motor		1	1	1	1	1
Motor Power	W	41	87	193	246	261
No. of Speed		4	4	4	4	4
V/ph/Hz		220/1/50	220/1/50	220/1/50	220/1/50	220/1/50
RLA/LRA		0.48/0.80	0.82/1.86	1.37/3.15	1.98/5.28	2.20/5.77
<b>RETURN AIR PLENUM</b>						
		Option	Option	Option	Option	Option
Filter Type		Aluminium filter	Aluminium filter	Aluminium filter	Aluminium filter	Aluminium filter
No. used		1	1	1	1	1
Filter Size (W x L x D)	mm	270 x 770 x 25	270 x 770 x 25	270 x 770 x 25	270 x 922 x 25	270 x 1,077 x 25
<b>DIMENSION (HxWxD)</b>						
Crated (Shipping)	mm	335 x 1,010 x 565	335 x 1,010 x 565	335 x 1,010 x 565	335 x 1,158 x 565	335 x 1,311 x 565
Crated with plenum (Shipping)	mm	311 x 949 x 641	311 x 949 x 641	311 x 949 x 641	311 x 1,111 x 641	311 x 1,264 x 641
Uncrated (Net)	mm	258 x 946 x 494	258 x 946 x 494	258 x 946 x 531	258 x 1,098 x 531	258 x 1,251 x 531
Uncrated with plenum (Net)	mm	300 x 946 x 625	300 x 946 x 625	300 x 946 x 625	300 x 1,098 x 625	300 x 1,251 x 625
<b>WEIGHT</b>						
Crated (Shipping)	kg	22	23	26	29	32
Crated with plenum (Shipping)	kg	32	33	36	40	45
Uncrated (Net)	kg	18	21	24	26	29
Uncrated with plenum (Net)	kg	30	31	34	38	42

- \*Note :
1. 2-Row coil is standard coil for HFCC04-06
  2. 3-Row coil is standard coil for HFCC08-12 and option for HFCC04-06
  3. 4-Row coil is optional coil for HFCC08-12
  4. Return air plenum is standard for HFCC10-12 only



# General Data HFCD 50 Hz

## Product Specification

MODEL		HFCD14	HFCD16	HFCD18	HFCD20
Rated - Volts/Ph/Hz		220-240/1/50	220-240/1/50	220-240/1/50	220-240/1/50
<b>INDOOR COIL</b>					
Face Area	sq ft	3.5	3.5	4.08	4.08
Tube Size	in	3/8	3/8	3/8	3/8
Tube Type		Plain	Plain	Plain	Plain
Fin Type		Precoated Slit	Precoated Slit	Precoated Slit	Precoated Slit
Fins per inch*					
3-Row coil		14	14	14	14
4-Row coil		16	16	16	16
Drain Connection Size	in	1/2	1/2	1/2	1/2
<b>FAN</b>					
Fan Type		Centrifugal	Centrifugal	Centrifugal	Centrifugal
Dai. x Width		8 x 9	8 x 9	8 x 10	8 x 10
No. used		2	2	2	2
Drive Type		Direct	Direct	Direct	Direct
<b>FAN MOTOR</b>					
No. of Motor		1	1	1	1
Motor Power	W	394	394	453	453
No. of Speed		4	4	4	4
V/ph/Hz		220/1/50	220/1/50	220/1/50	220/1/50
RLA/LRA		3.33/5.08	3.33/5.08	4.30/6.98	4.30/6.98
<b>RETURN AIR PLENUM</b>					
Type	Standard	Standard	Standard	Standard	Standard
No. used		1	1	1	1
Size (W x L x D)	mm	350 x 901 x 25	350 x 901 x 25	350 x 1,054 x 25	350 x 1,054 x 25
<b>DIMENSION (HxWxD)</b>					
Crated (Shipping)	mm	1,168 x 782 x 490	1,168 x 782 x 490	1,317 x 782 x 490	1,317 x 782 x 490
Uncrated (Net)	mm	1,098 x 759 x 408	1,098 x 759 x 408	1,251 x 759 x 408	1,251 x 759 x 408
<b>WEIGHT</b>					
Crated (Shipping)	kg	53	53	60	60
Uncrated (Net)	kg	49	49	55	55

\*Note : 1. 3-Row coil is standard coil for HFCD14-20  
2. 4-Row coil is optional coil for HFCD14-20



# Performance Data

## Cooling Capacities

### Ceiling Models HFCC04-06

TC = Total Capacity, MBH  
 SC = Sensible Capacity, MBH  
 GPM = Water Flow Rate, gpm  
 PD = Water Pressure Drop, Ft of Water

**Table 1 - Cooling Capacity for 2-Row Coil**

**Entering Water Temp (EWT) 40 F**

Rated Airflow CFM	WTR	Entering Air Temp - EDB/EWB (F)															
		72/61				74/63				80/67				84/71			
		TC	SC	GPM	PD	TC	SC	GPM	PD	TC	SC	GPM	PD	TC	SC	GPM	PD
<b>HFCC04</b>																	
400	8	11.04	8.29	2.75	7.03	12.84	8.88	3.20	9.14	16.64	10.72	4.14	14.36	20.79	11.82	5.18	21.18
	10	9.87	7.78	1.97	3.91	11.59	8.33	2.31	5.17	15.46	10.22	3.08	8.51	19.61	11.32	3.91	12.88
	12	8.61	7.24	1.43	2.24	10.26	7.77	1.70	3.04	14.14	9.67	2.35	5.28	18.37	10.81	3.05	8.33
	15	6.40	6.12	0.85	0.91	8.02	6.86	1.07	1.34	12.02	8.82	1.60	2.69	16.24	9.97	2.16	4.53
<b>HFCC06</b>																	
600	8	16.23	12.44	4.04	13.72	18.75	13.23	4.67	17.66	24.33	15.96	6.06	27.85	30.41	17.54	7.57	41.18
	10	14.72	11.78	2.93	7.81	17.06	12.50	3.40	10.09	22.52	15.20	4.49	16.37	28.59	16.78	5.69	24.85
	12	13.19	11.13	2.19	4.68	15.41	11.81	2.56	6.13	20.72	14.47	3.44	10.25	26.69	16.02	4.43	15.94
	15	10.75	10.13	1.43	2.21	12.81	10.75	1.70	3.00	18.10	13.42	2.40	5.45	23.68	14.86	3.15	8.70

**Entering Water Temp (EWT) 43 F**

Rated Airflow CFM	WTR	Entering Air Temp - EDB/EWB (F)															
		72/61				74/63				80/67				84/71			
		TC	SC	GPM	PD	TC	SC	GPM	PD	TC	SC	GPM	PD	TC	SC	GPM	PD
<b>HFCC04</b>																	
400	8	9.12	7.46	2.27	4.99	10.77	7.98	2.68	6.65	14.54	9.83	3.62	11.21	18.67	10.94	4.65	17.35
	10	8.03	7.00	1.60	2.70	9.57	7.49	1.91	3.66	13.29	9.32	2.65	6.47	17.43	10.44	3.47	10.38
	12	6.87	6.53	1.14	1.50	8.30	6.97	1.38	2.08	12.01	8.81	2.00	3.94	16.12	9.93	2.68	6.56
	15	4.64	4.57	0.62	0.51	6.11	5.83	0.81	0.83	9.97	8.03	1.33	1.92	13.86	9.08	1.84	3.40
<b>HFCC06</b>																	
600	8	13.51	11.27	3.36	9.85	15.78	11.97	3.93	12.93	21.19	14.65	5.28	21.62	27.23	22.10	6.78	33.56
	10	12.15	10.70	2.42	5.53	14.24	11.33	2.84	7.29	19.42	13.94	3.87	12.50	25.34	15.49	5.05	19.90
	12	10.76	10.14	1.79	3.25	12.70	10.72	2.11	4.33	17.75	13.29	2.95	7.74	23.36	14.74	3.88	12.49
	15	8.48	8.08	1.13	1.46	10.27	9.77	1.37	2.02	15.27	12.35	2.03	4.02	20.42	13.66	2.71	6.66

**Entering Water Temp (EWT) 45 F**

Rated Airflow CFM	WTR	Entering Air Temp - EDB/EWB (F)															
		72/61				74/63				80/67				84/71			
		TC	SC	GPM	PD	TC	SC	GPM	PD	TC	SC	GPM	PD	TC	SC	GPM	PD
<b>HFCC04</b>																	
400	8	7.92	6.96	1.97	3.87	9.43	7.43	2.35	5.24	13.08	9.24	3.26	9.26	17.20	10.35	4.28	14.92
	10	6.92	6.54	1.38	2.07	8.29	6.97	1.65	2.84	12.12	8.76	2.42	5.28	15.93	9.85	3.17	8.80
	12	5.83	5.56	0.97	1.12	7.09	6.50	1.18	1.57	10.64	8.29	1.77	3.17	14.54	9.33	2.42	5.45
	15	4.03	3.98	0.54	0.40	4.90	4.83	0.65	0.56	8.68	7.56	1.15	1.50	12.30	8.52	1.64	2.75
<b>HFCC06</b>																	
600	8	11.82	10.57	2.95	7.76	13.89	11.19	3.46	10.27	19.08	13.81	4.75	17.86	25.04	15.38	6.24	28.75
	10	10.59	10.06	2.11	4.33	12.46	10.62	2.48	5.74	18.09	13.16	3.62	10.26	23.09	14.64	4.60	16.80
	12	9.31	8.90	1.55	2.51	11.03	10.06	1.83	3.37	15.84	12.56	2.63	6.31	21.10	13.91	3.51	10.39
	15	7.11	7.02	0.95	1.07	8.72	8.30	1.16	1.52	13.50	11.69	1.79	3.22	18.30	12.90	2.43	5.46

**Entering Water Temp (EWT) 50 F**

Rated Airflow CFM	WTR	Entering Air Temp - EDB/EWB (F)															
		72/61				74/63				80/67				84/71			
		TC	SC	GPM	PD	TC	SC	GPM	PD	TC	SC	GPM	PD	TC	SC	GPM	PD
<b>HFCC04</b>																	
400	8	5.48	5.21	1.37	2.01	6.46	6.25	1.61	2.67	9.59	7.89	2.39	5.23	13.31	8.88	3.32	9.37
	10	4.70	4.64	0.94	1.05	5.59	5.31	1.12	1.41	8.58	7.52	1.71	2.95	11.99	8.41	2.39	5.28
	12	3.40	3.35	0.56	0.43	4.60	4.53	0.76	0.73	7.56	7.15	1.26	1.72	10.69	7.96	1.78	3.13
	15	2.74	2.70	0.36	0.21	3.27	3.22	0.43	0.28	5.89	5.60	0.78	0.76	8.67	7.28	1.15	1.47
<b>HFCC06</b>																	
600	8	8.39	7.99	2.09	4.20	9.75	9.56	2.43	5.45	14.13	11.93	3.52	10.38	19.29	13.25	4.81	17.90
	10	7.44	7.34	1.48	2.31	8.68	8.26	1.73	3.01	12.83	11.45	2.58	5.93	17.47	12.61	3.48	10.14
	12	6.21	6.13	1.03	1.23	7.53	7.13	1.25	1.71	11.58	11.00	1.92	3.60	15.78	12.03	2.62	6.16
	15	3.48	3.43	0.46	0.31	4.88	4.81	0.65	0.55	9.64	9.18	1.28	1.77	13.35	11.22	1.78	3.10



# Performance Data

## Cooling Capacities

### Ceiling Models HFCC04-12

TC = Total Capacity, MBH  
 SC = Sensible Capacity, MBH  
 GPM = Water Flow Rate, gpm  
 PD = Water Pressure Drop, Ft of Water

**Table 2- Cooling Capacity for 3-Row Coil**

Entering Water Temp (EWT) 40 F

Rated Airflow CFM	WTR	Entering Air Temp - EDB/EWB (F)															
		72/61				74/63				80/67				84/71			
		TC	SC	GPM	PD	TC	SC	GPM	PD	TC	SC	GPM	PD	TC	SC	GPM	PD
<b>HFCC04</b>																	
400	8	13.07	10.27	3.26	14.18	15.03	10.99	3.74	18.09	19.16	13.20	4.77	27.61	23.67	14.57	5.89	39.96
	10	12.11	9.77	8.38	8.38	14.04	10.48	2.80	10.83	18.22	12.72	3.63	17.04	22.74	14.11	4.53	25.10
	12	11.06	9.25	5.20	3.04	12.95	9.94	2.15	6.28	17.18	12.20	2.85	11.15	21.74	13.62	3.61	16.08
	15	9.32	8.41	1.24	2.61	11.14	9.07	1.48	3.55	15.43	11.37	2.05	6.23	20.07	12.82	2.67	9.84
<b>HFCC06</b>																	
600	8	18.56	14.84	4.62	26.09	21.34	15.84	5.31	33.32	27.26	19.02	6.79	51.13	33.72	20.94	8.39	74.27
	10	17.21	14.16	3.43	15.43	19.86	15.10	3.96	19.80	25.81	18.30	5.14	31.27	32.28	20.24	6.43	46.28
	12	15.85	13.48	2.63	9.62	18.40	14.39	3.06	12.56	24.24	17.54	4.02	20.28	30.74	19.51	5.10	30.74
	15	18.56	14.84	4.62	26.09	16.11	13.29	2.14	6.72	21.89	16.44	2.91	11.44	28.23	18.35	3.75	17.81
<b>HFCC08</b>																	
800	8	22.05	16.87	5.49	11.55	25.45	17.93	6.34	14.83	32.99	21.63	8.21	23.34	41.21	23.75	10.26	34.46
	10	19.99	15.97	3.98	6.57	23.19	16.96	4.62	8.51	30.56	20.61	6.09	13.75	38.76	22.74	7.72	20.83
	12	17.85	15.07	2.96	3.92	20.91	16.01	3.47	5.15	28.16	19.63	4.68	8.64	36.22	21.73	6.01	13.39
	15	14.36	13.63	1.91	1.81	17.23	14.51	2.29	2.48	24.54	18.18	3.26	4.58	32.17	20.15	4.27	7.33
<b>HFCC10</b>																	
1000	8	27.47	21.18	6.84	9.23	31.69	22.49	7.89	11.84	41.21	27.17	10.26	18.72	51.60	29.85	12.84	27.75
	10	24.72	19.99	4.92	5.19	28.75	21.23	5.73	6.74	37.99	25.81	7.57	10.94	48.35	28.51	9.63	16.67
	12	21.78	18.75	3.62	3.02	25.66	19.94	4.26	4.01	34.89	24.55	5.79	6.83	44.97	27.17	7.47	10.63
	15	16.64	15.94	2.21	1.28	20.43	17.85	2.71	1.82	29.98	22.62	3.98	3.53	39.64	25.13	5.27	5.74
<b>HFCC12</b>																	
1200	8	32.46	24.93	8.08	14.42	37.44	26.47	9.32	18.50	48.49	31.90	12.07	29.07	60.52	34.98	15.07	42.88
	10	29.53	23.66	5.88	8.25	34.18	25.08	6.81	10.63	44.97	30.43	8.96	17.15	56.97	33.53	11.35	25.94
	12	26.52	22.38	4.40	4.96	30.97	23.72	5.14	6.49	41.49	29.00	6.89	10.79	53.29	32.06	8.85	16.69
	15	21.59	20.34	2.87	2.34	25.78	21.63	3.42	3.18	36.38	26.98	4.83	5.78	47.44	29.80	6.30	9.17

Entering Water Temp (EWT) 43 F

Rated Airflow CFM	WTR	Entering Air Temp - EDB/EWB (F)															
		72/61				74/63				80/67				84/71			
		TC	SC	GPM	PD	TC	SC	GPM	PD	TC	SC	GPM	PD	TC	SC	GPM	PD
<b>HFCC04</b>																	
400	8	10.95	9.20	2.73	10.30	12.82	9.88	3.19	13.54	16.96	12.10	4.22	22.05	21.46	13.48	5.35	33.29
	10	10.00	8.74	1.99	5.95	11.82	9.39	2.35	7.94	15.94	11.61	3.18	13.35	20.47	13.01	4.08	20.65
	12	9.00	8.25	1.49	3.59	10.73	8.88	1.78	4.87	14.85	11.10	2.47	8.56	19.40	12.51	3.22	13.62
	15	7.34	7.23	0.98	1.71	8.95	8.06	1.19	2.41	13.11	10.31	1.74	4.65	17.54	11.68	2.33	7.70
<b>HFCC06</b>																	
600	8	15.56	13.34	3.87	18.95	18.16	14.26	4.52	24.84	24.04	17.45	5.99	40.57	30.48	19.39	7.59	61.52
	10	14.30	12.73	2.85	11.04	16.75	13.59	3.34	14.55	22.49	16.71	4.48	24.32	28.96	18.68	5.77	37.84
	12	13.02	12.13	2.16	6.81	15.35	12.94	2.55	9.06	20.98	16.01	3.48	15.60	27.32	17.94	4.54	24.73
	15	11.03	11.00	1.47	3.45	13.15	11.94	1.75	4.67	18.70	15.00	2.49	8.60	24.65	16.76	3.28	13.91
<b>HFCC08</b>																	
800	8	18.37	15.29	4.57	8.31	21.45	16.23	5.34	10.89	28.75	19.86	7.16	18.13	36.91	22.00	9.19	28.10
	10	16.48	14.50	3.28	4.65	19.35	15.36	3.86	6.14	26.39	18.91	5.26	10.53	34.38	21.01	6.85	16.70
	12	14.53	13.70	2.41	2.71	17.20	14.50	2.86	3.63	24.13	18.03	4.01	6.53	31.72	19.98	5.27	10.50
	15	11.16	11.01	1.48	1.16	13.73	13.14	1.82	1.66	20.67	16.71	2.75	3.36	27.76	18.52	3.69	5.61
<b>HFCC10</b>																	
1000	8	22.86	19.20	5.69	6.63	26.71	20.38	6.65	8.69	35.84	24.93	8.92	14.50	46.15	27.63	11.49	22.57
	10	20.31	18.14	4.05	3.65	23.92	19.24	4.77	4.84	32.80	23.72	6.54	8.38	42.78	26.32	8.52	13.31
	12	17.58	17.03	2.92	2.06	20.97	18.05	3.48	2.79	29.83	22.56	4.95	5.14	39.26	24.99	6.52	8.30
	15	12.51	12.35	1.66	0.77	15.90	15.18	2.11	1.17	25.09	20.78	3.33	2.57	34.07	23.09	4.53	4.37
<b>HFCC12</b>																	
1200	8	27.06	22.60	6.74	10.38	31.57	23.98	7.86	13.58	42.25	29.31	10.52	22.59	54.21	32.42	13.50	34.95
	10	24.42	21.50	4.87	5.86	28.58	22.75	5.69	7.70	38.83	27.94	7.74	13.13	50.52	30.99	10.07	20.80
	12	21.66	20.38	3.60	3.45	25.55	21.54	4.24	4.60	35.60	26.68	5.91	8.18	46.67	29.52	7.75	13.10
	15	16.95	16.14	2.25	1.53	20.63	19.61	2.74	2.14	30.73	24.83	4.08	4.27	41.00	27.42	5.45	7.04



# Performance Data Cooling Capacities Ceiling Models HFCC04-12

**Table 3- Cooling Capacity for 3-Row Coil (Continued)**

TC = Total Capacity, MBH  
SC = Sensible Capacity, MBH  
GPM = Water Flow Rate, gpm  
PD = Water Pressure Drop, Ft of Water

Enter Water Temp (EWT) 45 F

Rated Airflow	WTR CFM	Entering Air Temp - EDB/EWB (F)															
		72/61				74/63				80/67				84/71			
		TC	SC	GPM	PD	TC	SC	GPM	PD	TC	SC	GPM	PD	TC	SC	GPM	PD
<b>HFCC04</b>																	
400	8	9.56	8.52	2.38	8.07	11.34	9.16	2.82	10.85	15.42	11.36	3.84	18.54	19.92	12.76	4.96	29.01
	10	8.66	8.10	1.73	4.60	10.35	8.70	2.06	6.26	14.37	10.88	2.87	11.07	18.89	12.28	3.76	17.81
	12	7.72	7.66	1.28	2.74	9.29	8.22	1.54	3.77	13.31	10.39	2.21	7.02	17.75	11.77	2.95	11.58
	15	6.14	6.11	0.82	1.25	7.59	7.46	1.01	1.80	11.58	9.64	1.54	3.73	15.84	10.95	2.11	6.41
<b>HFCC06</b>																	
600	8	13.61	12.41	3.39	14.91	16.06	13.27	4.00	19.89	21.80	16.39	5.43	33.93	28.23	18.35	7.03	53.04
	10	12.45	11.87	2.48	8.63	14.72	12.65	2.93	11.53	20.30	15.71	4.05	20.18	26.64	17.64	5.31	32.47
	12	11.28	10.68	1.87	5.27	13.38	12.04	2.22	7.09	18.82	15.05	3.13	12.82	24.92	16.88	4.14	20.91
	15	9.42	9.38	1.25	2.60	11.31	11.13	1.50	3.57	16.62	14.10	2.21	6.96	22.30	15.77	2.96	11.59
<b>HFCC08</b>																	
800	8	16.07	14.33	4.00	6.54	18.88	15.17	4.70	8.66	25.90	18.72	6.45	15.01	33.94	20.83	8.46	24.09
	10	14.35	13.63	2.86	3.63	18.92	14.39	3.37	4.83	24.12	17.85	4.82	8.65	31.33	19.84	6.25	14.11
	12	12.54	11.99	2.08	2.09	14.90	13.60	2.48	2.81	21.53	17.03	3.58	5.32	28.69	18.86	4.77	8.76
	15	9.31	9.19	1.24	0.84	11.59	11.03	1.54	1.23	18.24	15.81	2.42	2.69	24.85	17.49	3.30	4.59
<b>HFCC10</b>																	
1000	8	19.98	18.01	4.98	5.21	23.50	19.06	5.86	6.91	32.31	23.52	8.05	12.10	42.38	26.17	10.56	19.31
	10	17.64	17.06	3.52	2.83	20.87	18.02	4.16	3.79	30.05	22.41	6.01	6.88	38.92	24.86	7.76	11.21
	12	15.08	14.40	2.51	1.57	18.08	16.93	3.00	2.15	26.56	21.32	4.41	4.18	35.52	23.61	5.90	6.92
	15	8.62	8.51	1.15	0.40	13.06	12.87	1.74	0.83	22.02	19.65	2.93	2.03	30.40	21.79	4.04	3.56
<b>HFCC12</b>																	
1200	8	23.72	21.21	5.91	8.19	27.81	22.43	6.93	10.81	38.08	27.64	9.49	18.70	49.85	30.71	12.42	29.96
	10	21.30	20.23	4.25	4.59	25.04	21.33	4.99	6.08	36.21	26.39	7.24	10.80	46.06	29.28	9.18	17.57
	12	18.74	17.90	3.11	2.67	22.20	20.22	3.69	3.58	31.81	25.23	5.28	6.67	42.22	27.86	7.01	10.92
	15	14.09	13.91	1.87	1.10	17.47	16.63	2.32	1.60	27.18	23.51	3.61	3.42	36.77	25.92	4.89	5.78

Entering Water Temp (EWT) 50 F

Rated Airflow	WTR CFM	Entering Air Temp - EDB/EWB (F)															
		72/61				74/63				80/67				84/71			
		TC	SC	GPM	PD	TC	SC	GPM	PD	TC	SC	GPM	PD	TC	SC	GPM	PD
<b>HFCC04</b>																	
400	8	6.49	6.38	1.62	4.05	7.81	7.56	1.95	5.57	11.50	9.60	2.87	10.92	15.81	10.93	3.94	19.03
	10	5.84	5.78	1.17	2.29	7.00	6.77	1.40	3.13	10.56	9.21	2.11	6.36	14.64	10.44	2.92	11.23
	12	5.10	4.96	0.85	1.32	6.14	6.12	1.02	1.82	9.59	8.81	1.96	3.91	13.47	9.96	2.24	7.04
	15	3.67	3.61	0.49	0.51	4.63	4.59	0.62	0.75	8.11	7.94	1.08	1.98	11.61	9.23	1.55	3.67
<b>HFCC06</b>																	
600	8	9.42	9.39	2.35	7.72	11.18	11.07	2.79	19.39	16.27	13.95	4.06	19.99	22.25	15.75	5.55	34.58
	10	8.60	8.49	1.72	4.46	10.16	9.99	2.03	5.95	14.98	13.41	2.99	11.68	20.57	15.06	4.10	20.30
	12	7.69	7.49	1.28	2.67	9.12	9.04	1.52	3.59	13.76	12.91	2.29	7.30	18.93	14.40	3.15	12.72
	15	5.78	5.68	0.77	1.10	7.37	7.13	0.98	1.68	11.93	11.87	1.59	3.85	16.54	13.48	2.20	6.78
<b>HFCC08</b>																	
800	8	11.37	10.83	2.83	3.52	13.24	12.96	3.30	4.59	19.21	16.17	4.79	8.75	26.19	17.96	6.53	15.04
	10	10.04	9.90	2.00	1.92	11.74	11.18	2.34	2.52	17.44	15.52	3.48	5.00	23.75	17.11	4.74	8.55
	12	8.24	8.13	1.37	0.99	10.11	9.57	1.68	1.41	15.68	14.89	2.61	3.02	21.47	16.32	3.57	5.20
	15	4.95	4.89	0.66	0.28	5.93	5.84	0.79	0.38	12.94	12.33	1.72	1.46	18.06	15.18	2.40	2.60
<b>HFCC10</b>																	
1000	8	14.13	13.46	3.52	2.81	16.45	15.72	4.10	3.65	23.95	20.35	5.97	7.01	32.63	22.57	8.13	12.01
	10	12.22	12.05	2.44	1.48	14.40	13.70	2.87	1.96	21.62	19.51	4.31	3.96	29.48	21.47	5.88	6.79
	12	9.18	9.06	1.53	0.66	12.03	11.85	2.00	1.04	19.25	18.66	3.20	2.35	26.49	20.45	4.40	4.08
	15	5.73	5.65	0.76	0.20	6.90	6.79	0.92	0.27	15.35	14.60	2.04	1.07	21.86	18.92	2.91	1.97
<b>HFCC12</b>																	
1200	8	16.85	16.05	4.20	4.45	19.58	19.22	4.88	5.77	28.27	23.92	7.05	10.92	38.47	26.52	9.59	18.71
	10	14.96	14.76	2.99	2.45	17.47	16.63	3.48	3.20	25.75	22.99	5.14	6.27	34.94	25.28	6.97	10.66
	12	12.41	12.25	2.06	1.29	15.13	14.32	2.52	1.81	23.29	22.12	3.87	3.82	31.67	24.17	5.27	6.51
	15	6.62	6.54	0.88	0.30	7.97	7.85	1.06	0.41	19.38	18.46	2.58	1.88	26.88	22.56	3.58	3.30



# Performance Data Cooling Capacities Ceiling Models HFCC08-12

TC = Total Capacity, MBH  
 SC = Sensible Capacity, MBH  
 GPM = Water Flow Rate, gpm  
 PD = Water Pressure Drop, Ft of Water

**Table 4- Cooling Capacity for 4-Row Coil**

Entering Water Temp (EWT) 40 F

Rated Airflow CFM	WTR	Entering Air Temp - EDB/EWB (F)															
		72/61				74/63				80/67				84/71			
		TC	SC	GPM	PD	TC	SC	GPM	PD	TC	SC	GPM	PD	TC	SC	GPM	PD
<b>HFCC08</b>																	
800	8	25.12	19.50	6.26	19.98	28.89	20.78	7.19	25.51	37.01	24.97	9.21	39.31	45.85	27.49	11.41	57.26
	10	23.21	18.58	4.62	11.74	26.08	19.78	5.34	15.08	34.88	23.97	6.95	23.88	43.74	26.51	8.71	35.48
	12	21.24	17.65	3.53	7.30	24.71	18.82	4.10	9.49	32.64	22.95	5.42	15.40	41.50	25.50	6.89	23.41
	15	18.07	16.20	2.40	3.72	21.36	17.30	2.84	4.97	29.32	21.47	3.89	8.60	37.86	23.90	5.03	13.42
<b>HFCC10</b>																	
1000	8	31.52	24.48	7.85	15.68	36.24	26.08	9.02	19.99	46.52	31.38	11.58	30.93	57.73	34.56	14.37	45.15
	10	29.02	23.28	5.78	9.16	33.54	24.80	6.68	11.78	43.72	30.08	8.71	18.68	54.94	33.28	10.94	27.86
	12	26.37	22.05	4.38	5.62	30.78	23.52	5.11	7.35	40.83	28.75	6.78	12.01	52.98	31.95	8.63	18.30
	15	21.98	20.06	2.92	2.77	26.20	21.48	3.48	3.75	36.44	26.82	4.85	6.64	47.16	29.86	6.26	10.39
<b>HFCC12</b>																	
1200	8	38.05	29.59	9.47	25.42	43.70	31.53	10.88	32.38	55.90	37.86	13.92	49.83	69.20	41.65	17.23	72.49
	10	35.24	28.24	7.02	14.99	40.63	30.06	8.09	19.21	52.77	36.38	10.51	30.31	66.09	40.21	13.16	44.79
	12	32.41	26.90	5.38	9.37	37.60	28.64	6.24	12.61	49.48	34.87	8.21	19.61	62.79	38.70	10.42	29.73
	15	27.86	24.80	3.70	4.87	32.79	26.46	4.36	6.46	44.64	32.69	5.93	11.03	57.39	36.33	7.62	17.09

Entering Water Temp (EWT) 43 F

Rated Airflow CFM	WTR	Entering Air Temp - EDB/EWB (F)															
		72/61				74/63				80/67				84/71			
		TC	SC	GPM	PD	TC	SC	GPM	PD	TC	SC	GPM	PD	TC	SC	GPM	PD
<b>HFCC08</b>																	
800	8	21.04	17.56	5.24	14.50	24.56	18.74	6.12	18.98	32.56	22.91	8.11	31.06	41.37	25.44	10.30	47.28
	10	19.25	16.74	3.84	8.39	22.57	17.84	4.50	11.06	30.37	21.93	6.05	18.53	39.15	24.46	7.80	28.90
	12	17.40	15.90	2.89	5.11	20.54	16.94	3.41	6.81	28.23	21.00	4.69	11.82	36.77	23.44	6.11	18.74
	15	14.45	14.35	1.92	2.50	17.33	15.55	2.30	3.42	24.97	19.61	3.32	6.44	33.03	21.88	4.39	10.46
<b>HFCC10</b>																	
1000	8	26.39	22.06	6.57	11.37	30.80	23.53	7.67	14.88	40.87	28.77	10.18	24.38	52.04	31.97	12.96	37.23
	10	24.02	20.97	4.79	6.52	28.21	22.36	5.62	8.61	38.05	27.53	7.58	14.50	49.10	30.69	9.78	22.63
	12	21.51	19.86	3.57	3.91	25.49	21.17	4.24	5.24	35.28	26.32	5.86	9.21	45.96	29.35	7.63	14.59
	15	17.35	17.28	2.31	1.82	21.07	19.28	2.80	2.54	30.92	24.49	4.11	4.94	41.12	27.36	5.46	8.10
<b>HFCC12</b>																	
1200	8	31.91	26.66	7.95	18.48	37.20	28.45	9.26	24.15	49.21	34.74	12.25	39.40	62.46	38.55	15.55	59.88
	10	29.30	25.45	5.84	10.75	34.27	27.12	6.83	14.11	46.00	33.29	9.17	23.58	59.18	37.11	11.79	36.65
	12	26.65	24.26	4.43	6.61	31.36	25.82	5.21	8.77	42.85	31.91	7.12	15.09	55.66	35.58	9.24	23.81
	15	22.38	22.37	2.97	3.30	26.73	23.80	3.55	4.48	38.13	29.89	5.07	8.30	50.15	33.28	6.66	13.36





# Performance Data

## Cooling Capacities

### Ceiling Models HFCC08-12

**Table 5 - Cooling Capacity for 4-Row Coil (Continued)**

TC = Total Capacity, MBH  
 SC = Sensible Capacity, MBH  
 GPM = Water Flow Rate, gpm  
 PD = Water Pressure Drop, Ft of Water

Entering Water Temp (EWT) 45 F

Rated Airflow CFM	WTR	Entering Air Temp - EDB/EWB (F)															
		72/61				74/63				80/67				84/71			
		TC	SC	GPM	PD	TC	SC	GPM	PD	TC	SC	GPM	PD	TC	SC	GPM	PD
<b>HFCC08</b>																	
800	8	18.42	16.35	4.59	11.41	21.71	17.46	5.41	15.19	29.49	21.54	7.35	25.93	38.26	24.08	9.53	40.93
	10	16.76	15.62	3.34	6.55	19.81	16.62	3.95	8.75	27.38	20.63	5.46	15.36	35.95	23.10	7.17	24.71
	12	15.05	14.87	2.50	3.94	17.88	15.79	2.97	5.31	25.31	19.76	4.20	9.71	33.47	22.06	5.56	15.79
	15	12.27	12.26	1.63	1.87	14.85	14.51	1.97	2.60	22.15	18.45	2.94	5.19	29.82	20.61	3.96	8.70
<b>HFCC10</b>																	
1000	8	23.09	20.55	5.75	8.94	27.21	21.93	6.78	11.90	37.03	27.07	9.22	20.36	48.09	30.26	11.98	32.18
	10	20.88	19.57	4.16	5.07	24.73	20.84	4.93	6.80	34.30	25.90	6.84	12.01	45.04	28.97	8.98	19.32
	12	18.54	18.48	3.08	3.00	22.13	19.73	3.68	4.07	31.59	24.77	5.25	7.55	41.83	27.65	6.95	12.30
	15	14.44	14.42	1.92	1.32	17.88	16.87	2.38	1.90	27.36	23.03	3.64	3.96	37.07	25.76	4.93	6.72
<b>HFCC12</b>																	
1200	8	27.95	24.84	6.94	14.56	32.91	26.51	8.20	19.36	44.61	32.68	11.11	32.94	57.78	36.50	14.39	51.86
	10	25.56	23.76	5.09	8.41	30.13	25.27	6.01	11.20	41.52	31.34	8.27	19.57	54.37	35.04	10.84	31.37
	12	23.09	22.68	3.84	5.12	27.37	24.07	4.55	6.87	38.46	30.04	6.39	12.40	50.71	33.51	8.42	20.10
	15	19.05	19.04	2.53	2.48	22.97	22.21	3.05	3.42	33.91	28.15	4.51	6.72	45.35	31.34	6.03	11.13

Entering Water Temp (EWT) 50 F

Rated Airflow CFM	WTR	Entering Air Temp - EDB/EWB (F)															
		72/61				74/63				80/67				84/71			
		TC	SC	GPM	PD	TC	SC	GPM	PD	TC	SC	GPM	PD	TC	SC	GPM	PD
<b>HFCC08</b>																	
800	8	12.79	12.68	3.19	5.95	15.13	14.63	3.77	7.97	22.01	18.40	5.49	15.29	30.02	20.68	7.48	26.30
	10	11.59	11.47	2.31	3.40	13.67	13.25	2.73	4.52	20.22	17.68	4.03	8.90	27.68	19.77	5.52	15.38
	12	10.23	10.18	1.70	1.99	12.16	11.85	2.02	2.68	18.47	17.00	3.07	5.52	25.39	18.90	4.22	9.59
	15	6.81	6.81	0.91	0.67	9.49	9.48	1.26	1.18	15.83	15.21	2.11	2.85	22.02	17.66	2.93	5.05
<b>HFCC10</b>																	
1000	8	16.02	15.96	3.99	4.66	18.95	18.40	4.73	6.23	27.62	23.14	6.89	11.99	37.66	25.99	9.39	20.62
	10	14.39	14.20	2.87	2.62	17.00	16.49	3.39	3.49	25.29	22.22	5.05	6.95	34.64	24.81	6.91	12.01
	12	12.42	12.39	2.06	1.47	14.90	14.88	2.48	2.02	22.98	21.32	3.82	4.27	31.69	23.70	5.27	7.45
	15	7.35	7.35	0.98	0.40	10.75	10.74	1.43	0.78	19.38	18.56	2.58	2.15	27.22	22.06	3.62	3.86
<b>HFCC12</b>																	
1200	8	19.46	19.37	4.85	7.62	22.99	22.23	5.73	10.18	33.36	27.93	8.32	19.48	45.40	31.37	11.32	33.39
	10	17.73	17.64	3.54	4.39	20.89	20.08	4.17	5.83	30.71	26.86	6.13	11.37	41.96	30.01	8.37	19.60
	12	15.76	15.70	2.62	2.60	18.69	18.25	3.11	3.49	28.19	25.87	4.69	7.10	38.58	28.72	6.41	12.26
	15	10.98	10.98	1.46	0.94	14.80	14.79	1.97	1.58	24.37	23.21	3.24	3.72	33.68	26.90	4.48	6.53



# Performance Data Cooling Capacities Ceiling Models HFCD14-20

TC = Total Capacity, MBH  
SC = Sensible Capacity, MBH  
GPM = Water Flow Rate, gpm  
PD = Water Pressure Drop, Ft of Water

**Table 6- Cooling Capacity for 3-Row Coil**

Entering Water Temp (EWT) 40 F

Rated Airflow CFM	WTR	Entering Air Temp - EDB/EWB (F)															
		72/61				74/63				80/67				84/71			
		TC	SC	GPM	PD	TC	SC	GPM	PD	TC	SC	GPM	PD	TC	SC	GPM	PD
<b>HFCD14</b>																	
1400	8	39.10	29.80	9.73	6.45	45.32	31.76	11.28	8.34	58.91	38.40	14.67	13.16	73.73	42.29	18.36	19.48
	10	34.79	27.92	6.93	3.56	40.81	29.82	8.13	4.69	54.43	36.50	10.84	7.73	69.23	40.42	13.79	11.76
	12	30.02	25.90	4.98	2.00	35.87	27.75	5.96	2.72	49.65	34.54	8.24	4.78	64.53	38.52	10.71	7.53
	15	20.34	20.07	2.70	0.69	26.98	24.20	3.58	1.12	41.80	31.44	5.55	2.39	56.43	35.38	7.50	4.02
<b>HFCD16</b>																	
1600	8	42.56	32.85	10.59	7.47	49.24	34.93	12.26	9.63	64.08	42.22	15.95	15.24	80.26	46.40	19.98	22.59
	10	38.02	30.88	7.57	4.15	44.44	32.88	8.85	5.44	59.08	40.12	11.77	8.91	75.21	44.34	14.98	13.58
	12	33.09	28.82	5.49	2.36	39.27	30.73	6.52	3.18	53.99	38.05	8.96	5.52	69.98	42.24	11.62	8.67
	15	24.12	23.02	3.20	0.92	30.33	27.15	4.03	1.37	45.78	34.82	6.08	2.79	61.30	38.92	8.14	4.64
<b>HFCD18</b>																	
1800	8	49.92	37.95	12.43	11.52	57.69	40.37	14.36	14.82	74.66	48.69	18.59	23.25	93.16	53.47	23.19	34.25
	10	45.29	35.92	9.02	6.56	52.62	38.18	10.48	8.52	69.37	46.44	13.82	13.77	87.83	51.27	17.49	20.80
	12	40.36	33.81	6.70	3.90	47.43	35.99	7.87	5.15	63.97	44.22	10.62	8.66	82.28	49.02	13.66	13.43
	15	31.99	30.35	4.25	1.76	38.78	32.48	5.15	2.45	55.71	40.92	7.40	4.59	73.36	45.54	9.74	7.40
<b>HFCD20</b>																	
2000	8	53.26	40.90	13.26	12.89	61.52	43.47	15.32	16.57	79.68	52.38	19.84	26.04	99.47	57.46	24.76	38.42
	10	48.36	38.78	9.63	7.35	56.08	41.12	11.17	9.51	73.91	49.95	14.72	15.38	93.64	55.07	18.65	23.26
	12	43.26	36.61	7.18	4.39	50.65	38.86	8.41	5.78	68.10	47.59	11.31	9.66	87.59	52.67	14.54	14.97
	15	34.78	33.11	4.62	2.03	41.78	35.26	5.55	2.79	59.47	44.16	7.90	5.14	77.97	48.93	10.36	8.22

Enter Water Temp (EWT) 43 F

Rated Airflow CFM	WTR	Entering Air Temp - EDB/EWB (F)															
		72/61				74/63				80/67				84/71			
		TC	SC	GPM	PD	TC	SC	GPM	PD	TC	SC	GPM	PD	TC	SC	GPM	PD
<b>HFCD14</b>																	
1400	8	32.36	26.89	8.06	4.59	38.07	28.66	9.48	6.09	51.31	35.23	12.78	10.23	66.06	39.13	16.45	15.89
	10	28.31	25.20	5.64	2.46	33.71	26.87	6.72	3.33	46.85	33.42	9.34	5.89	61.38	37.28	12.23	9.42
	12	23.79	23.36	3.95	1.32	28.92	24.96	4.80	1.85	42.21	31.60	7.01	3.56	56.41	35.36	9.37	5.89
	15	15.01	14.81	2.00	0.40	19.44	19.15	2.58	0.63	34.52	28.69	4.59	1.70	48.19	32.34	6.40	3.02
<b>HFCD16</b>																	
1600	8	35.30	29.74	8.79	5.34	41.39	31.60	10.31	7.04	55.72	38.75	13.88	11.80	71.80	42.97	17.88	18.38
	10	31.08	27.98	6.19	2.89	36.80	29.72	7.33	3.87	50.86	36.80	10.13	6.79	66.57	40.92	13.26	10.85
	12	26.49	26.13	4.40	1.59	31.87	27.76	5.29	2.19	45.96	34.89	7.63	4.13	61.09	38.83	10.14	6.77
	15	16.44	16.21	2.18	0.47	23.01	21.89	3.06	0.84	38.04	31.91	5.05	2.00	52.42	35.67	6.97	3.50
<b>HFCD18</b>																	
1800	8	41.56	34.31	10.35	8.28	48.60	36.48	12.10	19.87	65.16	44.68	16.23	18.11	83.54	49.53	20.80	27.99
	10	37.27	32.52	7.43	4.63	43.88	34.53	8.74	6.14	59.86	42.56	11.93	10.53	78.00	47.34	15.54	16.72
	12	32.69	30.64	5.43	2.67	38.90	32.54	6.61	3.61	54.79	40.56	9.10	6.54	72.19	45.09	11.99	10.57
	15	24.57	23.75	3.27	1.15	30.57	29.28	4.06	1.61	46.80	37.50	6.22	3.35	63.21	41.76	8.40	5.65
<b>HFCD20</b>																	
2000	8	44.36	37.06	11.05	9.27	51.81	39.34	12.90	12.14	69.44	48.13	17.29	20.24	89.10	53.25	22.19	31.33
	10	39.90	35.20	7.95	5.21	46.81	37.28	9.33	6.87	63.74	45.85	12.70	11.75	83.06	50.89	16.55	18.65
	12	35.21	33.29	5.85	3.04	41.68	35.22	6.92	4.07	58.36	43.75	9.69	7.30	76.74	48.48	12.74	11.76
	15	27.06	25.74	3.60	1.30	33.24	31.94	4.42	1.86	50.10	40.60	6.66	3.77	67.23	44.96	8.93	6.29



# Performance Data Cooling Capacities Ceiling Models HFCD14-20

TC = Total Capacity, MBH  
 SC = Sensible Capacity, MBH  
 GPM = Water Flow Rate, gpm  
 PD = Water Pressure Drop, Ft of Water

**Table 7- Cooling Capacity for 3-Row Coil (Continued)**

**Entering Water Temp (EWT) 45 F**

Rated Airflow CFM	WTR	Entering Air Temp - EDB/EWB (F)															
		72/61				74/63				80/67				84/71			
		TC	SC	GPM	PD	TC	SC	GPM	PD	TC	SC	GPM	PD	TC	SC	GPM	PD
<b>HFCD14</b>																	
1400	8	28.14	25.12	7.01	3.58	33.38	26.73	8.31	4.81	46.18	33.14	11.50	8.45	60.74	37.03	15.13	13.63
	10	24.39	23.61	4.87	1.89	29.21	25.06	5.82	2.58	42.03	31.47	8.41	4.82	55.93	35.18	11.15	7.96
	12	19.98	19.72	3.32	0.97	24.63	23.29	4.09	1.39	37.38	29.76	6.21	2.86	50.86	33.30	8.45	4.89
	15	13.27	13.09	1.76	0.33	15.03	14.81	2.00	0.40	29.94	27.02	3.98	1.32	42.73	30.40	5.68	2.44
<b>HFCD16</b>																	
1600	8	30.78	27.86	7.67	4.18	36.34	29.55	9.05	5.57	50.14	36.51	12.49	9.75	65.95	40.67	16.43	15.73
	10	26.90	26.28	5.36	2.23	31.99	27.81	6.38	3.02	48.07	34.74	9.61	5.56	60.58	38.64	12.07	9.14
	12	22.58	21.51	3.75	1.20	27.31	25.99	4.54	1.67	40.80	32.95	6.78	3.33	55.11	36.63	9.15	5.62
	15	14.00	13.82	1.86	0.36	18.25	17.98	2.43	0.56	33.21	30.15	4.41	1.57	46.59	33.61	6.19	2.83
<b>HFCD18</b>																	
1800	8	36.33	32.13	9.05	6.50	42.78	34.10	10.66	8.64	58.68	42.09	14.62	14.98	76.90	46.91	19.15	24.03
	10	32.37	30.51	6.45	3.60	38.31	32.28	7.64	4.82	54.10	40.13	10.82	8.66	71.19	44.72	14.19	14.15
	12	28.10	26.85	4.67	2.04	33.62	30.45	5.58	2.78	48.84	38.28	8.11	5.32	65.26	42.52	10.84	8.81
	15	19.62	19.35	2.61	0.74	25.48	24.24	3.39	1.17	41.18	35.43	5.47	2.67	56.55	39.37	7.52	4.62
<b>HFCD20</b>																	
2000	8	38.85	34.76	9.77	7.30	45.61	36.80	11.36	9.65	62.53	45.37	15.57	16.73	81.94	50.45	20.41	26.86
	10	34.76	33.11	6.93	4.07	40.96	34.94	8.16	5.41	60.04	43.29	12.01	9.65	75.73	48.09	15.09	15.76
	12	30.39	29.03	5.05	2.34	36.13	33.05	6.00	3.15	52.09	41.34	8.65	5.95	69.35	45.74	11.52	9.78
	15	22.19	21.90	2.95	0.92	27.97	26.58	3.72	1.37	44.21	38.43	5.88	3.02	60.19	42.47	8.00	5.15

**Entering Water Temp (EWT) 50 F**

Rated Airflow CFM	WTR	Entering Air Temp - EDB/EWB (F)															
		72/61				74/63				80/67				84/71			
		TC	SC	GPM	PD	TC	SC	GPM	PD	TC	SC	GPM	PD	TC	SC	GPM	PD
<b>HFCD14</b>																	
1400	8	19.60	18.67	4.89	1.88	23.01	22.00	5.74	2.48	34.06	28.53	8.49	4.89	46.79	31.84	11.66	8.49
	10	16.45	16.22	3.28	0.94	19.71	18.74	3.93	1.28	30.40	27.19	6.06	2.71	42.20	30.21	8.42	4.79
	12	10.96	10.82	1.82	0.34	15.52	15.30	2.58	0.62	26.59	25.82	4.42	1.56	37.48	28.59	6.23	2.83
	15	8.92	8.80	1.19	0.16	10.68	10.53	1.42	0.22	20.00	19.66	2.66	0.64	29.93	26.08	3.98	1.29
<b>HFCD16</b>																	
1600	8	21.67	20.61	5.40	2.23	25.27	24.13	6.30	2.91	37.06	31.56	9.24	5.66	50.68	35.05	12.63	9.76
	10	18.41	18.16	3.67	1.14	21.88	20.78	4.36	1.54	33.25	30.17	6.63	3.17	45.70	33.31	9.12	5.50
	12	11.65	11.49	1.94	0.38	17.75	17.48	2.95	0.78	29.32	28.78	4.88	1.85	40.78	31.63	6.78	3.27
	15	9.36	9.24	1.25	0.18	11.23	11.08	1.50	0.24	22.72	21.54	3.02	0.80	33.05	29.08	4.40	1.53
<b>HFCD18</b>																	
1800	8	25.55	24.35	6.37	3.47	29.87	29.00	7.45	4.55	43.46	36.27	10.83	8.72	59.42	40.39	14.81	15.05
	10	22.47	22.17	4.48	1.88	26.40	25.14	5.27	2.48	39.45	34.80	7.87	4.98	53.96	38.47	10.76	8.58
	12	18.02	17.77	3.00	0.93	22.49	21.29	3.74	1.37	35.41	33.34	5.89	2.99	48.79	36.68	8.11	5.22
	15	10.78	10.64	1.43	0.26	12.93	12.73	1.72	0.36	28.88	27.52	3.84	1.42	40.88	34.04	5.44	2.59
<b>HFCD20</b>																	
2000	8	27.54	26.21	6.87	3.95	32.03	31.49	7.99	5.13	46.35	39.21	11.56	9.75	63.20	43.53	15.75	16.75
	10	24.32	24.00	4.85	2.15	28.45	27.06	5.68	2.82	42.16	37.69	8.41	5.58	57.35	41.47	11.44	9.53
	12	19.86	19.60	3.30	1.10	24.46	23.13	4.67	1.58	37.99	36.20	6.32	3.38	51.91	39.62	8.63	5.81
	15	11.17	11.02	1.49	0.28	13.44	13.24	1.79	0.38	31.34	29.84	4.17	1.64	43.78	36.91	5.83	2.92



# Performance Data Cooling Capacities Ceiling Models HFCD14-20

TC = Total Capacity, MBH  
 SC = Sensible Capacity, MBH  
 GPM = Water Flow Rate, gpm  
 PD = Water Pressure Drop, Ft of Water

**Table 8- Cooling Capacity for 4-Row Coil**

Entering Water Temp (EWT) 40 F

Rated Airflow CFM	WTR	Entering Air Temp - EDB/EWB (F)															
		72/61				74/63				80/67				84/71			
		TC	SC	GPM	PD	TC	SC	GPM	PD	TC	SC	GPM	PD	TC	SC	GPM	PD
<b>HFCD14</b>																	
1400	8	49.36	37.61	12.29	19.03	56.62	40.07	14.10	24.17	72.19	48.08	17.97	36.96	89.16	52.86	22.20	53.52
	10	45.94	35.45	9.15	11.32	52.94	37.85	10.54	14.49	68.51	45.83	13.65	22.71	85.55	50.80	17.04	33.50
	12	42.27	33.69	7.02	7.10	49.16	36.06	8.16	9.24	64.57	43.96	10.72	14.83	81.66	48.97	13.55	22.34
	15	36.13	30.85	4.80	3.65	42.82	33.14	5.69	4.90	58.54	41.23	7.78	8.42	75.19	46.07	9.99	13.02
<b>HFCD16</b>																	
1600	8	54.14	41.33	13.48	22.35	62.11	44.08	15.46	28.41	79.30	52.93	19.74	43.56	98.03	58.33	24.41	63.21
	10	50.29	39.46	10.02	13.25	57.95	42.06	11.54	16.96	75.08	50.92	14.95	26.65	93.87	56.37	18.70	39.40
	12	46.32	37.57	7.69	8.32	53.76	40.08	8.92	10.78	70.63	48.83	11.72	17.34	89.41	54.30	14.84	26.17
	15	39.80	34.55	5.29	4.32	46.96	36.98	6.24	5.75	63.95	45.81	8.49	9.82	82.07	51.02	10.90	15.16
<b>HFCD18</b>																	
1800	8	61.87	46.77	15.40	22.36	70.98	49.92	17.67	28.42	90.59	59.92	22.55	43.54	112.00	66.05	27.87	63.15
	10	57.50	44.67	11.45	13.27	66.25	47.63	13.20	16.98	85.82	57.65	17.09	26.67	107.30	63.84	21.36	39.40
	12	52.93	42.50	8.79	8.33	61.48	45.39	10.21	10.80	80.76	55.31	13.41	17.36	102.20	61.54	16.97	26.20
	15	45.34	39.00	6.02	4.30	53.61	41.81	7.12	5.74	73.15	51.87	9.72	9.84	93.89	57.83	12.47	15.19
<b>HFCD20</b>																	
2000	8	66.92	50.73	16.66	25.63	76.78	54.08	19.11	32.59	98.11	64.93	24.42	50.07	121.40	71.50	30.21	72.74
	10	62.09	48.43	12.37	15.16	71.54	51.60	14.25	19.41	92.75	62.43	18.47	30.54	116.10	69.05	23.12	45.22
	12	57.19	46.13	9.49	9.53	66.31	49.17	11.01	12.32	87.15	59.87	14.47	19.82	110.40	66.49	18.33	29.97
	15	49.23	42.53	6.54	4.95	57.97	45.42	7.70	6.57	78.82	56.16	10.47	11.20	101.10	62.45	13.43	17.29

Entering Water Temp (EWT) 43 F

Rated Airflow CFM	WTR	Entering Air Temp - EDB/EWB (F)															
		72/61				74/63				80/67				84/71			
		TC	SC	GPM	PD	TC	SC	GPM	PD	TC	SC	GPM	PD	TC	SC	GPM	PD
<b>HFCD14</b>																	
1400	8	41.51	33.34	10.34	13.90	48.39	36.20	12.05	18.16	63.81	43.61	15.89	29.44	80.75	49.02	20.11	44.49
	10	38.18	31.79	7.61	8.12	44.80	34.04	8.93	10.71	59.97	41.86	11.95	17.80	76.91	46.83	15.32	27.50
	12	34.62	30.17	5.75	4.97	40.99	32.32	6.81	6.66	56.11	40.15	9.32	11.49	72.72	44.98	12.08	18.04
	15	28.77	27.59	3.82	2.44	34.72	29.57	4.61	3.37	50.01	37.50	6.65	6.34	66.00	42.12	8.77	10.26
<b>HFCD16</b>																	
1600	8	45.48	37.17	11.32	16.30	53.00	39.74	13.20	21.29	69.97	48.52	17.42	34.59	88.66	53.97	22.08	52.40
	10	41.82	35.47	8.33	9.51	48.97	37.88	9.76	12.51	65.62	46.56	13.07	20.83	84.24	51.98	16.78	32.24
	12	38.03	33.75	6.32	5.85	44.86	36.04	7.45	7.79	61.29	44.63	10.18	13.39	79.47	49.89	13.20	21.06
	15	31.90	31.02	4.24	2.91	38.23	33.12	5.08	3.98	54.66	41.77	7.26	7.39	71.92	46.70	9.56	11.92
<b>HFCD18</b>																	
1800	8	51.98	42.05	12.94	16.31	60.59	44.98	15.09	21.31	79.96	54.94	19.91	34.60	101.30	61.11	25.23	52.39
	10	47.81	40.13	9.53	9.52	56.01	42.89	11.16	12.53	75.03	52.71	14.95	20.85	96.30	58.88	19.19	32.27
	12	43.41	38.14	7.21	5.84	51.29	40.78	8.52	7.79	70.11	50.54	11.64	13.42	90.89	56.52	15.09	21.10
	15	36.21	34.98	4.81	2.88	43.55	37.40	5.79	3.96	62.51	47.28	8.31	7.40	82.31	52.91	10.94	11.95
<b>HFCD20</b>																	
2000	8	56.18	45.68	13.99	18.67	65.46	48.78	16.30	24.39	86.46	59.54	21.53	39.67	109.60	66.16	27.30	60.19
	10	51.64	43.62	10.29	10.88	60.41	46.50	12.04	14.29	80.99	57.11	16.14	23.83	104.00	63.69	20.73	36.93
	12	47.02	41.53	7.81	6.70	55.36	44.27	9.19	8.90	75.57	54.75	12.55	15.29	97.99	61.11	16.27	24.06
	15	39.54	38.28	5.25	3.35	47.26	40.80	6.28	4.56	67.38	51.30	8.95	8.44	88.54	57.20	11.76	13.57



# Performance Data Cooling Capacities Ceiling Models HFCD14-20

**Table 9- Cooling Capacity for 4-Row Coil (Continued)**

TC = Total Capacity, MBH  
 SC = Sensible Capacity, MBH  
 GPM = Water Flow Rate, gpm  
 PD = Water Pressure Drop, Ft of Water

**Entering Water Temp (EWT) 45 F**

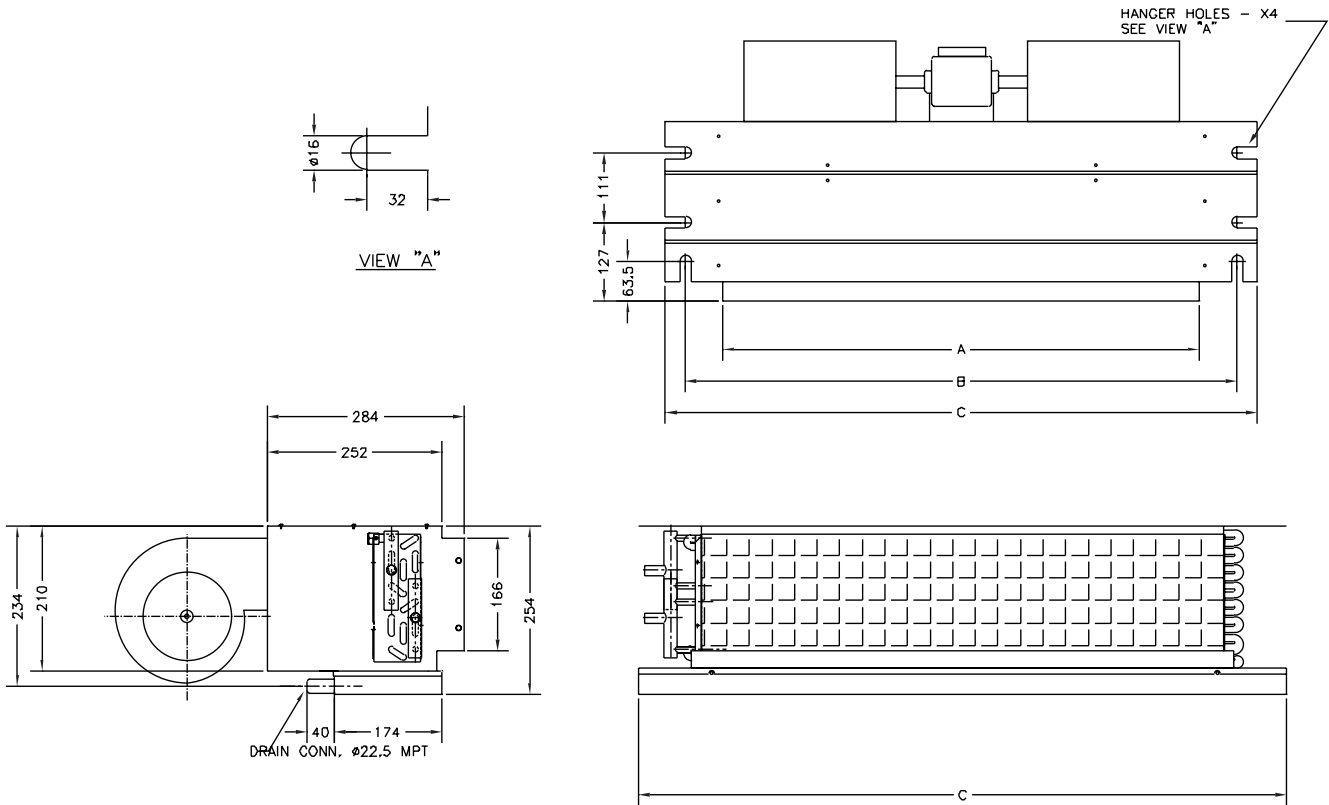
Rated Airflow CFM	WTR	Entering Air Temp - EDB/EWB (F)															
		72/61				74/63				80/67				84/71			
		TC	SC	GPM	PD	TC	SC	GPM	PD	TC	SC	GPM	PD	TC	SC	GPM	PD
<b>HFCD14</b>																	
1400	8	36.35	30.96	9.06	10.95	42.89	33.71	10.68	14.61	58.00	40.98	14.45	24.73	74.90	45.93	18.66	38.71
	10	33.19	29.53	6.62	6.32	39.38	32.16	7.85	8.50	54.25	39.33	10.81	14.84	70.87	44.19	14.12	23.66
	12	29.84	28.06	4.96	3.81	35.67	29.99	5.93	5.19	50.43	37.69	8.38	9.47	66.45	42.30	11.04	15.31
	15	24.29	24.14	3.23	1.81	29.64	27.43	3.94	2.54	44.39	35.15	5.90	5.12	57.48	38.64	7.16	7.14
<b>HFCD16</b>																	
1600	8	39.83	34.56	9.92	12.84	46.95	36.96	11.69	17.10	63.54	45.62	15.83	29.01	82.14	51.06	20.46	45.50
	10	36.43	33.02	7.26	7.42	43.07	35.24	8.58	9.93	59.31	43.76	11.82	17.33	77.52	49.06	15.45	27.68
	12	32.89	31.46	5.46	4.51	39.11	33.50	6.50	6.09	55.06	41.94	9.15	11.03	72.55	46.96	12.05	17.84
	15	27.10	27.06	3.60	2.18	32.78	30.83	4.36	3.03	48.58	39.25	6.46	5.98	65.13	43.94	8.66	9.96
<b>HFCD18</b>																	
1800	8	45.53	39.10	11.34	12.85	53.68	41.83	13.37	17.12	72.63	51.64	18.09	29.03	93.87	57.81	23.38	45.51
	10	41.62	37.34	8.29	7.42	49.25	39.88	9.82	9.95	67.82	49.55	13.52	17.36	88.64	55.56	17.67	27.71
	12	37.50	35.53	6.23	4.50	44.68	37.89	7.42	6.09	62.99	47.48	10.46	11.06	82.99	53.20	13.79	17.88
	15	30.65	30.37	4.07	2.14	37.26	34.76	4.95	3.00	55.53	44.39	7.38	5.99	74.55	49.76	9.91	9.99
<b>HFCD20</b>																	
2000	8	49.22	42.51	12.26	14.71	57.96	45.42	14.44	19.57	78.48	56.01	19.55	33.24	101.50	62.60	25.28	52.20
	10	45.04	40.67	8.98	8.51	53.14	43.31	10.59	11.35	73.16	53.73	14.58	19.81	95.65	60.13	19.06	31.65
	12	40.72	38.78	6.77	5.19	48.31	41.23	8.03	6.97	67.86	51.49	11.27	12.58	89.40	57.55	14.85	20.35
	15	33.64	33.33	4.47	2.52	40.59	38.02	5.40	3.48	59.94	48.26	7.97	6.83	80.13	53.84	10.65	11.32

**Entering Water Temp (EWT) 50 F**

Rated Airflow CFM	WTR	Entering Air Temp - EDB/EWB (F)															
		72/61				74/63				80/67				84/71			
		TC	SC	GPM	PD	TC	SC	GPM	PD	TC	SC	GPM	PD	TC	SC	GPM	PD
<b>HFCD14</b>																	
1400	8	24.95	24.53	6.22	5.59	29.82	27.51	7.43	7.62	43.53	34.80	10.85	14.72	59.29	39.37	14.78	25.26
	10	22.65	22.42	4.52	3.20	26.97	26.32	5.38	4.33	40.14	33.43	8.01	8.63	55.08	37.70	10.99	14.98
	12	20.02	19.82	3.33	1.88	23.98	23.92	3.99	2.57	36.75	32.08	6.11	5.37	50.84	36.05	8.45	9.44
	15	13.08	13.03	1.74	0.61	18.65	18.50	2.48	1.13	31.51	30.06	4.19	2.78	44.33	33.60	5.90	5.02
<b>HFCD16</b>																	
1600	8	27.52	27.50	6.86	6.64	32.72	30.80	8.16	8.96	47.62	38.85	11.87	17.22	64.81	43.80	16.16	29.53
	10	25.07	24.98	5.00	3.82	29.70	29.55	5.92	5.12	43.88	37.34	8.75	10.07	60.09	41.94	11.99	17.43
	12	22.29	22.26	3.71	2.26	26.54	26.49	4.41	3.06	40.27	35.90	6.70	6.29	55.38	40.12	9.21	10.95
	15	15.72	15.71	2.09	0.84	21.02	20.99	2.80	1.38	34.74	33.77	4.62	3.29	48.39	37.50	6.44	5.84
<b>HFCD18</b>																	
1800	8	31.41	31.37	7.83	6.62	37.38	34.82	9.32	8.96	54.45	43.94	13.58	17.24	74.12	49.59	18.48	29.57
	10	28.56	28.38	5.70	3.80	33.89	33.38	6.76	5.11	50.18	42.22	10.01	10.09	68.76	47.48	13.72	17.47
	12	25.29	25.21	4.21	2.24	30.20	30.17	5.02	3.04	46.02	40.58	7.65	6.30	63.38	45.41	10.54	10.98
	15	16.69	16.68	2.22	0.74	23.60	23.59	3.14	1.34	39.58	38.10	5.27	3.27	55.35	42.42	7.36	5.85
<b>HFCD20</b>																	
2000	8	34.15	34.03	8.51	7.66	40.46	37.95	10.09	10.28	58.78	47.78	14.65	19.70	79.94	53.77	19.93	33.75
	10	31.14	31.07	6.21	4.41	36.78	36.46	7.34	5.89	54.15	45.94	10.80	11.52	74.02	51.47	14.77	19.88
	12	27.72	27.69	4.61	2.62	32.93	32.90	5.47	3.53	49.73	44.22	8.27	7.20	68.15	49.24	11.33	12.46
	15	19.52	19.51	2.60	0.97	26.14	26.13	3.48	1.60	43.01	41.66	5.72	3.78	59.59	46.09	7.93	6.65

# Dimensional Data

## Ceiling Models HFCC04-12

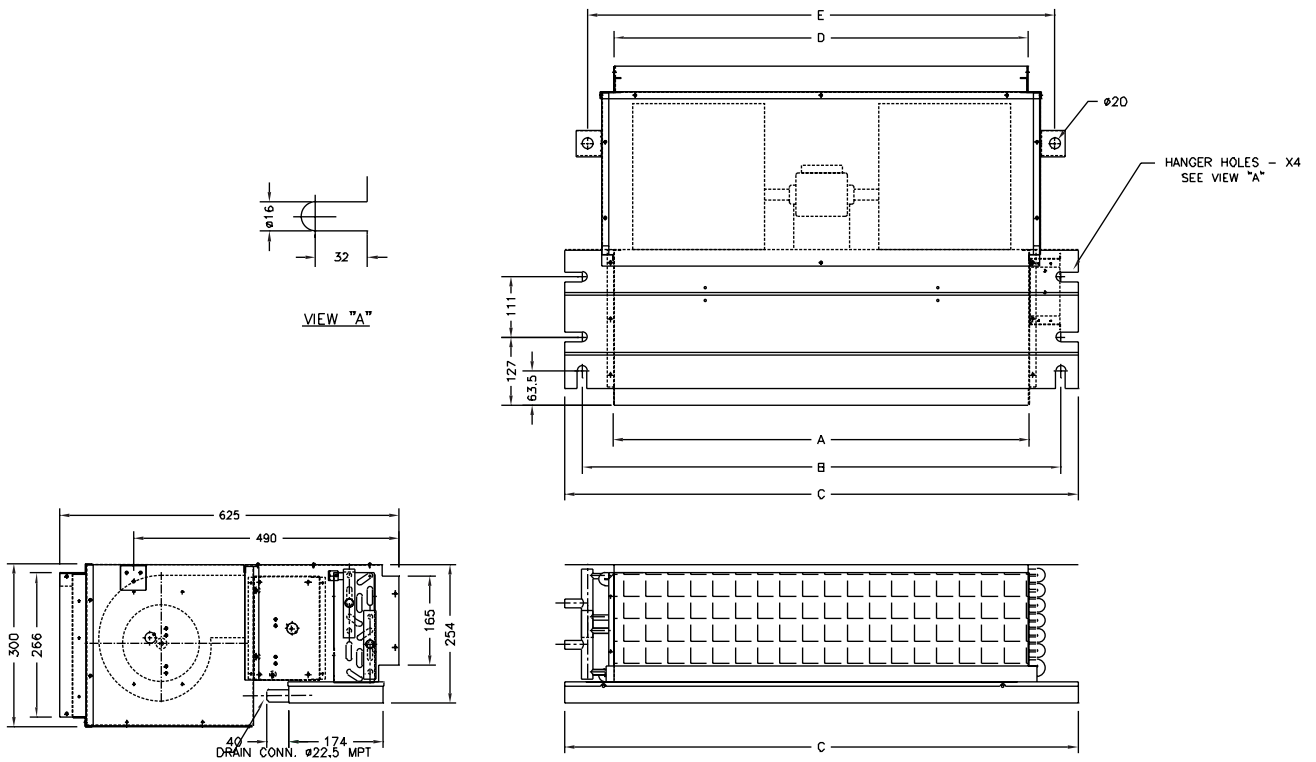


External Dimensions Without Plenum

Model No.	External Dimensions (mm.)			Conn. Sizes		Number Of	
	A	B	C	Inlet	Outlet	Fan(s)	Motor(s)
HFCC 04	762(30")	882(34 3/4)	946(37 1/4)	15.88(5/8")	15.88(5/8")	2	1
HFCC 06	762(30")	882(34 3/4)	946(37 1/4)	15.88(5/8")	15.88(5/8")	2	1
HFCC 08	762(30")	882(34 3/4)	946(37 1/4)	15.88(5/8")	15.88(5/8")	2	1
HFCC 10	914(36")	1034(40 1/4)	1098(43 1/4)	15.88(5/8")	15.88(5/8")	2	1
HFCC 12	1067(42")	1087(42 7/8)	1251(49 1/4)	15.88(5/8")	15.88(5/8")	2	1

# Dimensional Data

## Ceiling Models HFCC04-12

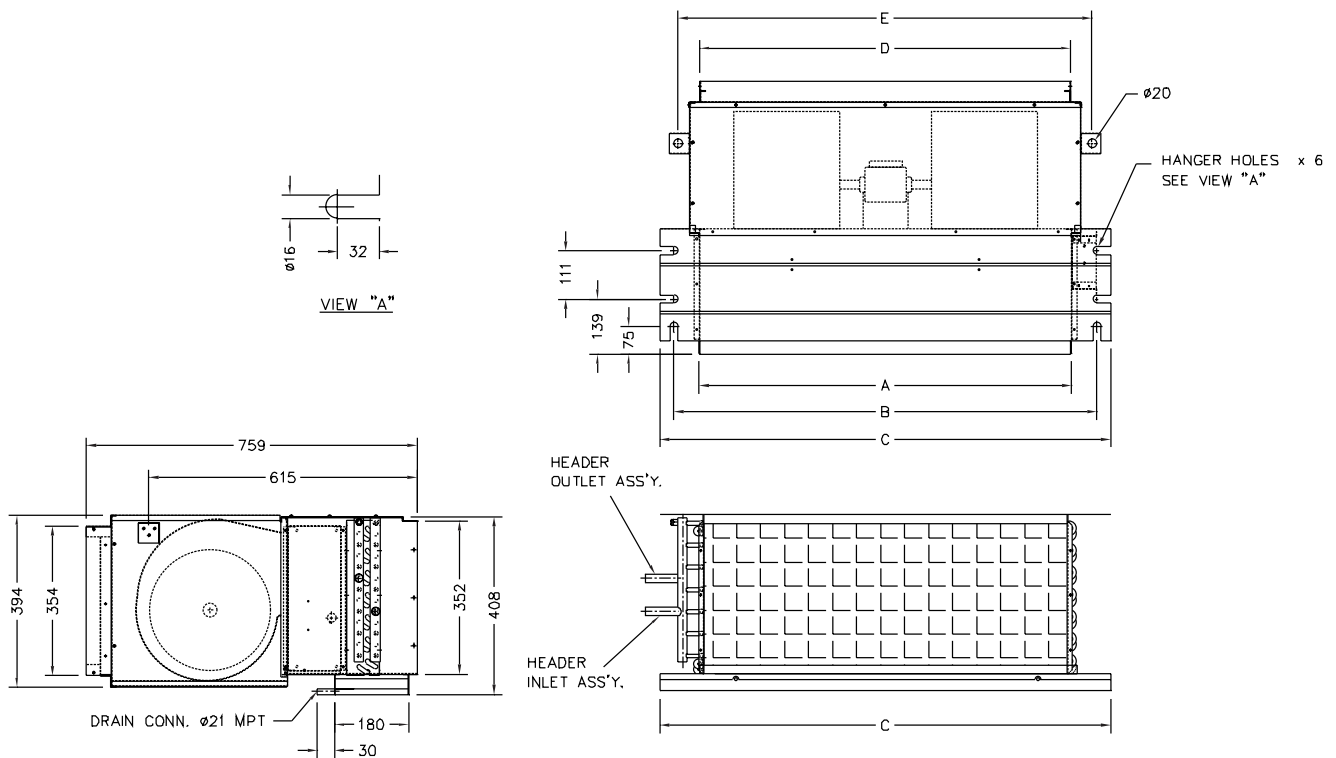


### External Dimensions With Plenum (Option)

Model No.	External Dimensions (mm.)					Conn. Sizes		Number Of	
	A	B	C	D	E	Inlet	Outlet	Fan(s)	Motor(s)
HFCC 04	762(30")	882(34 3/4")	946(37 1/4")	762(30")	862(33 15/16")	15.88(5/8")	15.88(5/8")	2	1
HFCC 06	762(30")	882(34 3/4")	946(37 1/4")	762(30")	862(33 15/16")	15.88(5/8")	15.88(5/8")	2	1
HFCC 08	762(30")	882(34 3/4")	946(37 1/4")	762(30")	862(33 15/16")	15.88(5/8")	15.88(5/8")	2	1
HFCC 10	914(36")	1034(40 1/4")	1098(43 1/4")	914(36")	1014(39 15/16")	15.88(5/8")	15.88(5/8")	2	1
HFCC 12	1067(42")	1087(42 7/8")	1251(49 1/4")	1067(42")	1167(45 15/16")	15.88(5/8")	15.88(5/8")	2	1

# Dimensional Data

## Ceiling Models HFCD14-20



External Dimensions (Return Air Plenum is Standard)

Model	All External Dimensions are in (mm.)					Conn. Sizes		Number Of	
	A	B	C	D	E	Inlet	Outlet	Fan (s)	Motor (s)
HFCD 14-16	916 (36.06")	1034(40.70")	1107(43.58")	907(35.70")	1013(39.88")	19.05(3/4")	19.05(3/4")	2	1
HFCD 18-20	1069(42.08")	1187(46.73")	1250(49.21")	1060(41.73")	1166(45.90")	19.05(3/4")	19.05(3/4")	2	1



# Mechanical Specification

## General

Designed for hi-static or ducted application, commonly used within the closets of hotels, motels and apartment.

### HFCC : Concealed Ceiling Models

Designed specifically to meet many varied requirements demanded of concealed type installation, available in 400-1,200 cfm sizes.

### HFCD: Concealed Ceiling Models-with plenum

The unit shall be factory installed return air plenum that encloses the fan section of the HFCD unit. No field fabrication is required. The return air arrangement is adaptable between bottom or rear return of the plenum.

## Casings

Casings are constructed of zinc coated, heavy gauge, galvanized steel. Interior surface of unit panels are acoustically and thermally insulated with Polyethylene foam. Units are furnished as standard with a 1 inch duct collar to facilitate connection of the supply air duct.

## Water Coils

Coils are of 2 rows, 3 rows or 4 rows design with highly efficient aluminum fins. Aluminum fins are mechanically bonded to 3/8 inch O.D. seamless copper tubes. All coils are specifically designed and circuited for water use. All coils are tested at 380 psi.

## Fans

Fans are double width, double inlet multiblade centrifugal type. All fans are statically and dynamically balanced.

## Drain Pans

3-layer drain pan are integrally attached to coil casings and ended with drain hose. All pans are galvanized for corrosion resistance and cover the entire coil.

## Motors

Single-phase motors are suitable for 220/1/50. All motors have 10 percent voltage utilization range and wired to unit terminal box. Motors are designed for long life.

### Electric Heater (Optional)

Model	HFCC04	HFCC06	HFCC08	HFCC10	HFCC12	HFCD14	HFCD16	HFCD18	HFCD20
kW Heater	2.0	2.5	3.0	4.0	4.5	5.0	6.0	6.5	7.0



Trane Thailand  
1126/2, 30<sup>th</sup>-31<sup>st</sup> Floor, Vanit Building II,  
New Petchburi Road, Makkasan, Ratchathewi,  
Bangkok 10400

Amair Limited  
999/1 Mu 9, Bangna-Trad Km.19 Road,  
Bangchalong, Bangplee, Samutprakarn  
Bangkok 10540  
<http://www.tranethailand.com>

Literature Order Number: UNT-DLS006-EN

Date: Jul 2008

Supersedes: May 2007

Stocking Location: Bangkok, Thailand

ทรานประเทศไทย เลขที่ 1126/2 ชั้น 30-31 อาคารวานิช 2 ถนนเพชรบุรีตัดใหม่ แขวงมักกะสัน เขตราชเทวี กรุงเทพฯ 10400

Trane has a policy of continuous product and product data improvement and reserves the right to change design and specifications without notice.